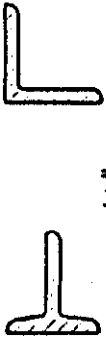


USE TEE OR ANGLE

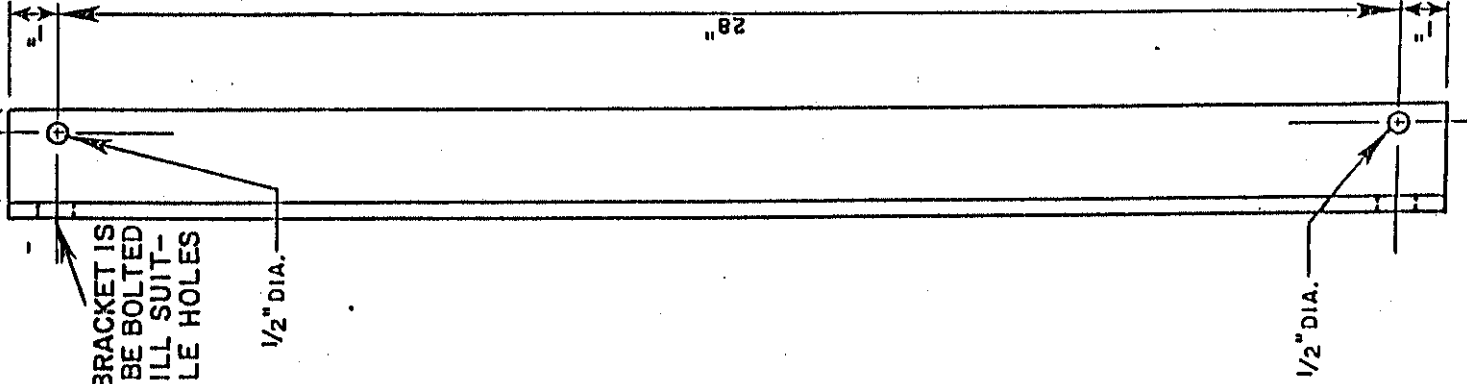


1 1/2"

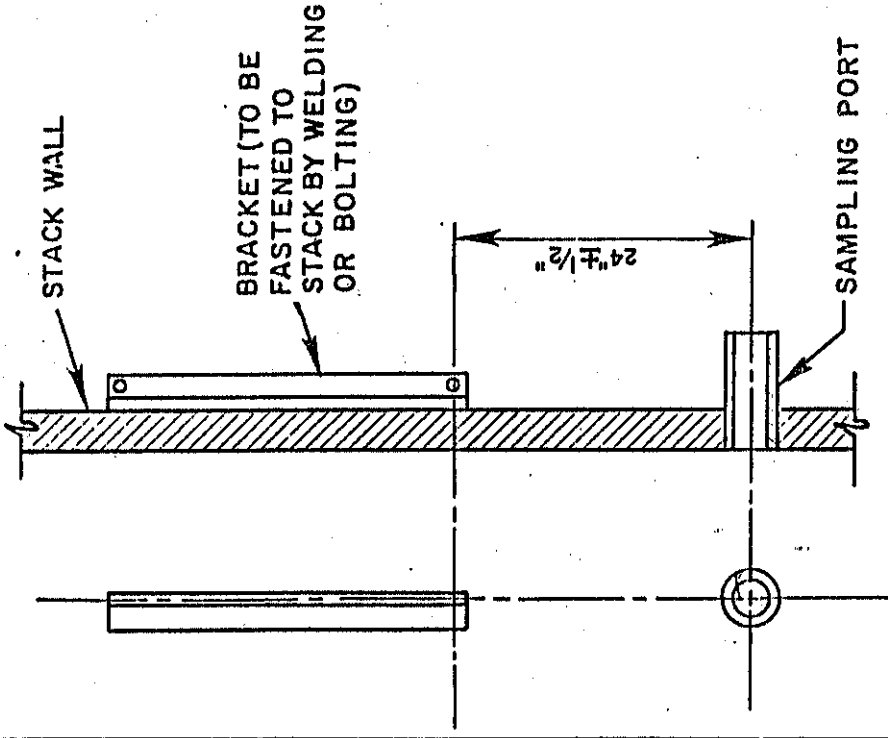
1/2"

IF BRACKET IS TO BE BOLTED TO DRILL SUITABLE HOLES

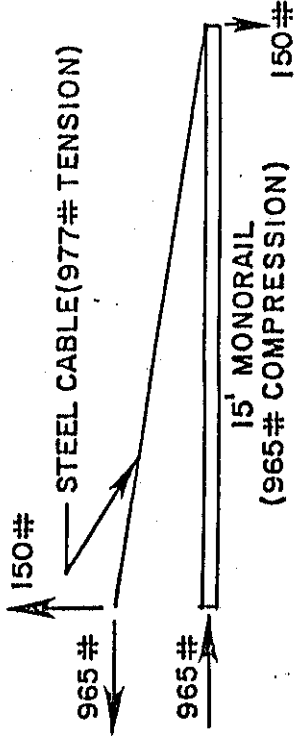
1/2" DIA.



BRACKET DESIGN



LOCATION OF BRACKET ON THE STACK



STRESS DIAGRAM

STACK SAMPLING BRACKET DESIGN
SHOWING LOCATION AND STRESSES.